



01

POOL FILTRATION

INDEX

01	INJECTED SAND FILTERS "AQUARIUS" TOP VALVE	14
02	INJECTED SAND FILTERS "AQUARIUS" SIDE VALVE.....	15
03	FILTRATION SYSTEM "AQUARIUS"	16
04	BOBBIN-WOUND SAND FILTERS "MUNICH"N	17
05	BLOW-MOLDED FILTERS "EC3000"	18
06	OCEAN GELCOAT FILTER.....	19
07	VERTICAL BOBBINED FILTERS	20
08	HORIZONTAL BOBBINED FILTERS.....	22
09	DUAL STACK FILTERS.....	26
10	STAINLESS STEEL SAND FILTERS TYPE "XE"	27
11	STAINLESS STEEL SAND FILTERS TYPE "XR"	28
12	STAINLESS STEEL SAND FILTERS TYPE "XL"	29
13	HOT ZINC PLATED CARBON STEEL FILTER TYPE "ZR"	30
14	HOT ZINC PLATED CARBON STEEL FILTER TYPE "VL"	31
15	CARTRIDGE FILTER "BIG ONE".....	32
16	CARTRIDGE FILTER "CF SERIES"	33
17	GALAXY SINGLE-ELEMENT CARTRIDGE FILTER	34
18	GALAXY MULTI-ELEMENT CARTRIDGE FILTER	35
19	SIX - WAY SELECTOR VALVES	36
20	AQUA COMFORT TOUCH.....	38
21	VALVE MANIFOLDS	39
22	CONTROL PANEL FOR VALVE MANIFOLDS.....	41
23	QUARTZ SAND	41
24	ACTIVATED FILTER MEDIA	42
25	ZPM - ZETA POTENTIAL MIXER 30	44
26	REGENERATIVE MEDIA FILTER	44



01 | INJECTED SAND FILTERS "AQUARIUS" TOP VALVE

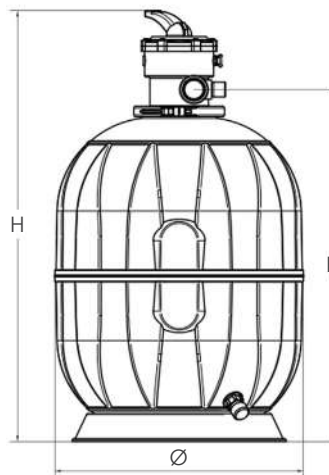
✓ Technical features

A 6-way multiport, top valve sand filter promoting clean water, simple operation and easy maintenance

- Top mounted selector with 6 easy operations for maintenance (Filtration, backwash, rinsing, waste, circulation and lock).
- Injection molded polypropylene tank with a polished and glazed finish
- Micro-hole pipe distribution/drainage system
- Supporting base for guaranteed stability
- Filter valve connection with clamping collar
- Connection: Ø 50mm (1½ inch)
- Filter discharge: ¾ inch
- Operating temperature: 5 - 40°C
- Maximum operating pressure: 1.5 bar
Test pressure: 4 bar.
- Standard: UNI 1063722006 regulation for TYPE D category
- Warranty: 5 years on filter body



📏 Dimensions



🔍 Models

CODE	Ø mm	CONNECTIONS	FLOW	QUARTZ SAND	DIMENSIONS mm		PACKING	WEIGHT	VOLUME
			(m³/h) V=50m³/h/m²		kg	F		H	kg
100100968	450	1½"	6	75	600	775	2	11	0.13
100100971	530	1½"	10	100	756	925	2	17	0.21
100100974	620	1½"	14	150	792	960	2	20	0.31

02 | INJECTED SAND FILTERS "AQUARIUS" SIDE VALVE

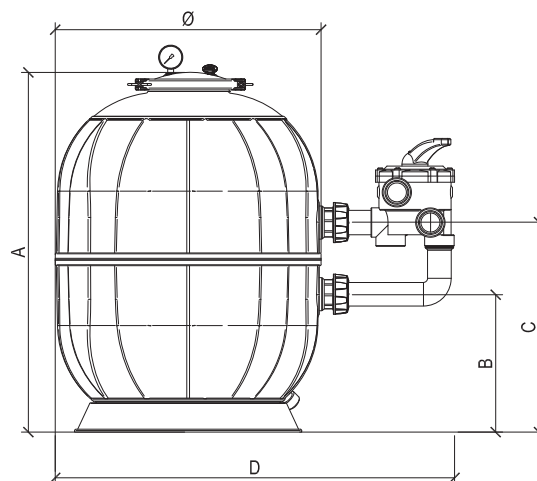
✓ Technical features

A 6-way multiport, side valve sand filter for debris free water and easy maintenance.

- Side mounted selector with 6 easy operations for maintenance (Filtration, backwash, rinsing, waste, circulation and lock).
- Injection molded polypropylene tank with a polished and glazed finish
- Supporting base to ensure stability
- Lid with built-in pressure gauge for easy inspection
- Clamps and butterfly valves for secure seal
- Anti-slip grip and nozzles to ease the maintenance operation
- Micro-hole pipe distribution/drainage system
- Connections Ø 50mm (1½ inch) / Ø 63mm (2 inch)
- Filter discharge: 3/4"
- Operating temperature: 5 - 40°C
- Maximum operating pressure: 1.5 bar, (950mm 2.5 bar)
Test pressure: 4 bar
- Standard: UNI 1063722006 regulation for TYPE D category
- Warranty: 5 years on filter body



Dimensions



Models

CODE	Ø	CONNECTIONS	FLOW	QUARTZ SAND	DIMENSIONS mm				PACKING	WEIGHT	VOLUME
			(m³/h) V=50m³/h/m²	kg	A	B	C	D		kg	m³
100100967	450	1½"	6	75	645	206	356	716	2	10	0.13
100100970	530	1½"	10	100	795	281	431	730	2	16	0.21
100100973	620	1½"	14	150	830	299	449	820	2	19	0.30
100100988	790	2"	22	250	1010	360	579	1102	2	29	0.61
100100908	950	2"	35	425	1025	370	570	1270	2	37	0.93



03 | FILTRATION SYSTEM "AQUARIUS"

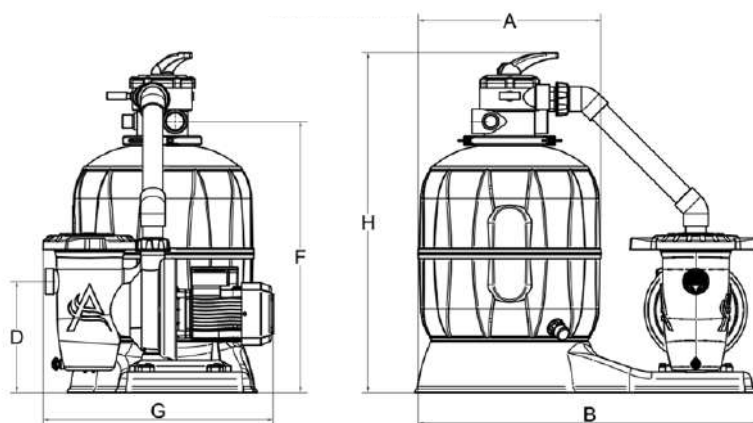
✓ Technical features

An exclusive and unique top valve, multiport sand filter with circulation pump designed with state of the art technology and manufactured using first grade raw materials. Ideal for private pools, spas and above-ground pools with sea and salt chlorinated water.

- 6-way multiport, top mounted selector for easy operation and maintenance (Filtration, backwash, rinsing, waste, circulation and lock).
- Fully injected, 100% Polypropylene tank for maximum reliability and performance
- Polished and glazed wedge finish
- Strong supporting base with Lipari centrifugal pump and prefilter installed with standard fittings Ø 50mm. (For pump specs, see page 56)
- Micro-hole pipe distribution/drainage system
- Filter valve connection with clamping collar
- Connections: Ø 50mm
- Filter discharge: 3/4"
- Maximum operating pressure: 1.5 bar, Test pressure: 4 bar
- Standard: UNI 10637:2006 regulation for TYPE D categories
- Warranty: 5 years on filter body



📏 Dimensions



🔍 Models

CODE	TYPE	POWER		IN-OUT	FLOW (m³/h) V=50m³/h/ m²	QUARTZ SAND kg	FILTRATION AREA m²	DIMENSIONS mm						PACKING	WEIGHT kg	VOL- UME m³
		HP	kW					A	H	B	D	F	G			
100100977	Top	0.50	0.37	DN50	6	75	0.12	450	835	830	275	665	570	1	20	0.32
100100978	Top	0.75	0.55	DN50	10	100	0.20	530	985	870	275	815	570	1	25	0.46
100100979	Top	1	0.75	DN50	14	150	0.28	620	1020	915	275	855	570	1	30	0.57

04 | BOBIN-WOUND SAND FILTER "MUNICH'N

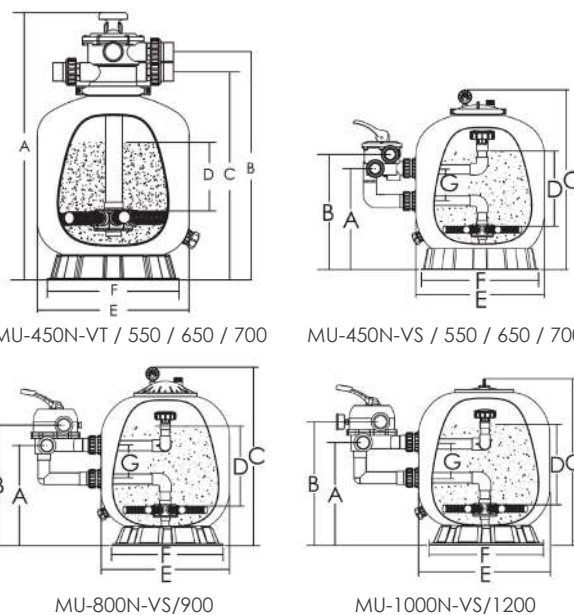
✓ Technical features

Bobbin-wound, reinforced fibreglass sand filter with 6-way multiport top or side mounted valves and a UV-resistant surface to resist extreme weather conditions. For residential and commercial pools.

- 6-way multiport, top or side mounted selector for easy operation and maintenance (Filtration, backwash, rinsing, waste, circulation and lock).
- Complete with pressure gauge, manual air release and water purge valves
- Fitted with UPVC collector arms and diffuser
- Top mount 'MU' series includes closure and screw
- Side mount 'MU' series (450, 550, 600 and 700) includes glass top cover, seal clamps and butterfly valve
- Side mount 'MU' series (800 and 900) includes top cover made from ABS and Polycarbonate with side screw closure valve
- Side mount 'MU' series (1000 and 1200) includes top cover and center clamp closure valve
- Maximum operating pressure: 2.5 bar (Test pressure: 4 bar)
- Warranty: 5 years on filter body



📏 Dimensions



CODE	DIMENSIONS mm						
	A	B	C	D	E	F	G
MU-450N-VT	814	698	638	210	450	390	-
MU-550N-VT	845	730	670	235	550	500	-
MU-650N-VT	950	835	775	300	650	500	-
MU-700N-VT	1020	905	845	330	700	500	-
MU-450N-VS	360	420	730	210	450	390	125
MU-550N-VS	390	450	770	235	550	500	125
MU-650N-VS	430	390	850	235	650	500	125
MU-700N-VS	450	510	960	330	700	500	125
MU-800N-VS	560	646	1050	425	800	780	220
MU-900N-VS	610	696	1180	480	900	780	220
MU-1000N-VS	700	770	1220	580	1000	780	220
MU-1200N-VS	820	1005	1410	740	1200	1000	220

🔍 Models

CODE	TYPE	Ø mm	CONNECTIONS	FLOW	QUARTZ SAND	FILTER AREA	PACKING	WEIGHT	VOLUME
				(m³/h) V=50m³/h/m²				kg	kg
MU-450N-VT	Top	450	1.5"	8	50	0.16	2	16.5	0.19
MU-550N-VT	Top	550	1.5"	10	100	0.22	2	21.1	0.23
MU-650N-VT	Top	650	1.5"	16	150	0.32	2	24.3	0.38
MU-700N-VT	Top	700	1.5"	19	225	0.40	2	26.5	0.34
MU-450N-VS	Side	450	1.5"	8	50	0.16	2	16.5	0.19
MU-550N-VS	Side	550	1.5"	10	100	0.22	2	21.1	0.23
MU-650N-VS	Side	650	1.5"	16	150	0.32	2	24.3	0.38
MU-700N-VS	Side	700	1.5"	19	225	0.40	2	33	0.45
MU-800N-VS	Side	800	2"	25	350	0.53	2	41.5	0.67
MU-900N-VS	Side	900	2"	30	475	0.66	2	52.3	0.95
MU-1000N-VS	Side	1000	2.5"	40	625	0.82	2	115	1.84
MU-1200N-VS	Side	1200	3"	56	875	1.13	2	124	2.32



05 | BLOW-MOLDED FILTERS "EC3000"

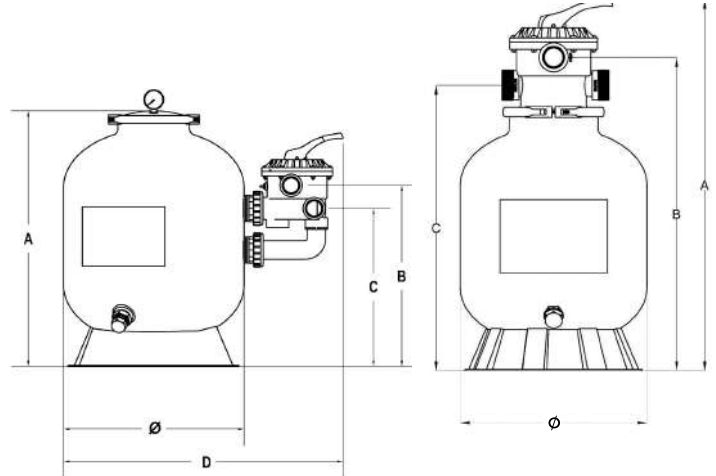
✓ Technical features

A durable and rigid one-piece blow-molded sand filter available with top or side mounted valves for easy access and simple maintenance.

- 6-way multiport, top or side mounted selector for easy operation and maintenance (Filtration, backwash, rinsing, waste, circulation and lock).
- Manufactured in High-Density Polyethylene (PE-HD)
- Yellow matt finish
- Supporting base for ensure maximum stability
- Includes pressure gauge, manual air vent and water purge valves
- Maximum operating pressure: 2.5 bar (Test pressure: 4 bar)
- Warranty: 5 years on filter body



Dimensions



Models

CODE	TYPE	Ø mm	FLOW	QUARTZ SAND	DIMENSIONS mm				PACKING	WEIGHT	VOLUME
			(m ³ /h) V=50m ³ /h/m ²		kg	A	B	C		D	kg
FRL-400	Side	400	6	50	580	430	355	676	2	8.00	0.12
FRL-500	Side	500	9	75	680	490	430	755	2	10.50	0.22
FRL-600	Side	600	14	100	880	630	560	880	2	14.00	0.37
FTS-400	Top	400	6	50	810	685	624	676	2	8.00	0.12
FTS-500	Top	500	9	75	913	788	727	755	2	10.50	0.22
FTS-600	Top	600	14	100	1108	982	921	880	2	14.00	0.37

06 | OCEAN GELCOAT FILTERS

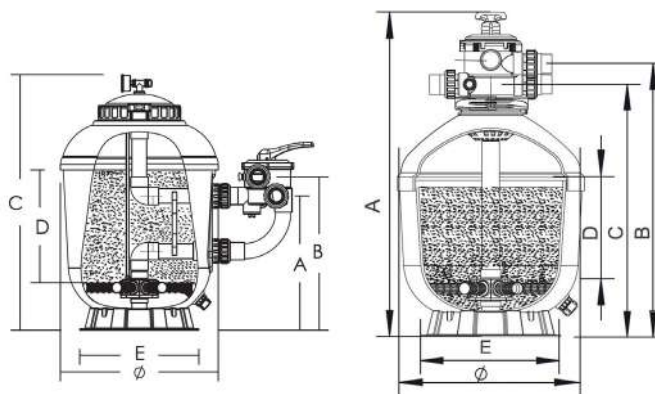
✓ Technical features

A lateral flow, top or side mounted valve sand filter to promote clean, debris free water and low maintenance operation.

- 6-way multiport, top or side mounted selector for easy maintenance (Filtration, backwash, rinsing, waste, circulation and lock).
- Clamp / bolt style fixtures for easy access
- Non-corrosive, gelcoat fibreglass tank with a smooth, grey finish
- ABS thermoplastic polymer lateral flow system
- Includes universal 'standard union' connection and built-in pressure gauge
- OC-TOP model includes transparent lid providing clear view of filter media and an air release valve to remove any accumulated air inside the tank
- Maximum operating pressure: 2.5 bar (Test pressure: 4 bar)
- Warranty: 5 years on filter body



📏 Dimensions



SIDE-S
OC-500-S / OC-650-S OC-750-S / OC-900-S

TOP-T
OC-500-T / OC-650-T

🔍 Models

CODE	Ø mm	TYPE	CONNECTIONS	FLOW	QUARTZ SAND	DIMENSIONS mm					PACKING	WEIGHT	VOLUME
				(m ³ /h) V=50m ³ /h/m ²		kg	A	B	C	D		E	kg
OC-500-T	500	Top	1.5"	10	100	886	750	693	286	390	2	16.6	0.25
OC-650-T	650	Top	1.5"	16	150	998	862	805	318	500	2	28	0.45
OC-500-S	500	Side	1.5"	10	100	438	501	835	360	390	2	18.3	0.21
OC-650-S	650	Side	1.5"	16	150	453	516	926	380	390	2	24.5	0.38
OC-750-S	750	Side	2"	22	250	517	603	1023	440	500	2	38	0.55
OC-900-S	900	Side	2"	30	375	570	656	1163	480	780	2	57.8	0.90



07 | VERTICAL BOBBINED FILTERS

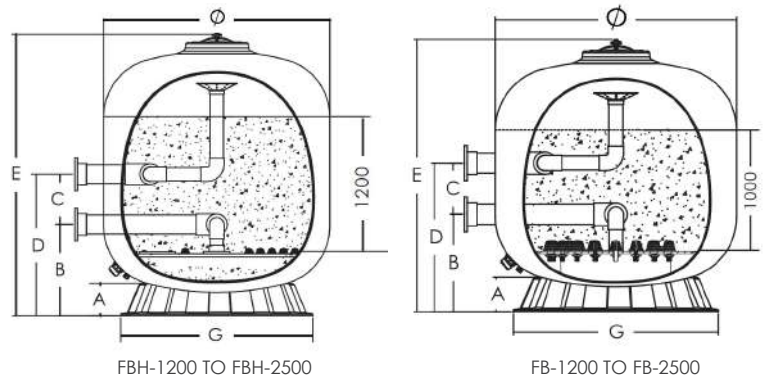
✓ Technical features

A vertical, bobbin-wound sand filter available in lateral or nozzle plate systems for air scouring capabilities

- Bobbin-wound fiberglass construction reinforced with polyester resin
- Vertical cylinder tank with multiple layer construction for anti-corrosive and chemical protection
- UV resistant - Suitable for operation under prolonged sunlight
- Optional accessories include sight glass, manhole and air purge valve
- Maximum filtration Velocity : 50m³/h/m²
- Maximum operating pressure: 2.5 or 4 bar (Test pressure: 4 or 6 bar)
- Warranty: 5 years on filter body
- Manifold and valves are not included



Dimensions



Models

MODEL	Ø mm	QUARTZ SAND	DIMENSIONS mm					
		kg	A	B	C	D	E	G
FB-1200	1200	1200	170	565	350	915	1410	1000
FB-1400	1400	1800	190	565	350	915	1570	1220
FB-1600	1600	3000	200	350	350	1000	1740	1365
FB-1800	1800	3800	220	690	415	1105	2040	1630
FB-2000	2000	5100	220	770	415	1185	2210	1630
FB-2200	2200	7600	230	950	550	1500	2510	1800
FB-2500	2500	8500	230	1050	550	1600	2670	1800
FBH-1200	1200	2800	170	665	350	1015	2080	995
FBH-1400	1400	2700	190	675	350	1025	2175	1220
FBH-1600	1600	3600	200	775	350	1125	2310	1365
FBH-1800	1800	4100	220	780	415	1195	2320	1630
FBH-2000	2000	5400	220	865	415	1280	2460	1630
FBH-2300	2300	9200	230	1060	550	1610	2720	1800
FBH-2500	2500	10400	230	1120	550	1670	2750	1800

Add - Lux end of filter code to be supplied with air purge, Manhole, and sight glass

FEATURES



Nozzles System



Lateral System



Air Purge



Manhhole



Sight Glass

Working pressure: 2.5kg/cm² or 4 kg/cm²

Test pressure: 4 kg/cm² or 6 kg/cm²

CODE		CONNECTIONS	FILTER AREA	FLOW	PACKING	WEIGHT	VOLUME
		mm	M ²	(m ³ /h) V=50m ³ /h/m ²		kg	m ³
FB-1200-2.5-LAT	FB-1200-4-LAT	90	1.13	56.5	1	139	2.26
FB-1400-2.5-LAT	FB-1400-4-LAT	110	1.54	77	1	225	3.25
FB-1600-2.5-LAT	FB-1600-4-LAT	125	2.01	100.5	1	273.5	4.76
FB-1800-2.5-LAT	FB-1800-4-LAT	140	2.54	126	1	412	6.67
FB-2000-2.5-LAT	FB-2000-4-LAT	160	3.14	148.5	1	450	9.03
FB-2200-2.5-LAT	FB-2200-4-LAT	200	3.8	217	1	554	15.02
FB-2500-2.5-LAT	FB-2500-4-LAT	225	4.90	244.5	1	680	21.68
FB-1200-2.5-NOZ	FB-1200-4-NOZ	90	1.13	56.5	1	139	2.26
FB-1400-2.5-NOZ	FB-1400-4-NOZ	110	1.54	77	1	225	3.25
FB-1600-2.5-NOZ	FB-1600-4-NOZ	125	2.01	100.5	1	273.5	4.76
FB-1800-2.5-NOZ	FB-1800-4-NOZ	140	2.54	126	1	412	6.67
FB-2000-2.5-NOZ	FB-2000-4-NOZ	160	3.14	148.5	1	450	9.03
FB-2200-2.5-NOZ	FB-2200-4-NOZ	200	3.8	217	1	554	15.02
FB-2500-2.5-NOZ	FB-2500-4-NOZ	225	4.90	244.5	1	680	21.68
FBH-1200-2.5-LAT	FBH-1200-4-LAT	90	1.13	56.5	1	238	3.35
FBH-1400-2.5-LAT	FBH-1400-4-LAT	110	1.54	77	1	258	4.58
FBH-1600-2.5-LAT	FBH-1600-4-LAT	125	2.06	100.5	1	473	6.20
FBH-1800-2.5-LAT	FBH-1800-4-LAT	140	2.52	126	1	473	7.94
FBH-2000-2.5-LAT	FBH-2000-4-LAT	160	2.97	148.5	1	772	10.38
FBH-2300-2.5-LAT	FBH-2300-4-LAT	200	4.43	217	1	658.5	1621
FBH-2500-2.5-LAT	FBH-2500-4-LAT	225	4.89	244.5	1	760	17.88
FBH-1200-2.5-NOZ	FBH-1200-4-NOZ	90	1.13	56.5	1	238	3.35
FBH-1400-2.5-NOZ	FBH-1400-4-NOZ	110	1.54	77	1	258	4.58
FBH-1600-2.5-NOZ	FBH-1600-4-NOZ	125	2.06	100.5	1	473	6.20
FBH-1800-2.5-NOZ	FBH-1800-4-NOZ	140	2.52	126	1	473	7.94
FBH-2000-2.5-NOZ	FBH-2000-4-NOZ	160	2.97	148.5	1	772	10.38
FBH-2300-2.5-NOZ	FBH-2300-4-NOZ	200	4.43	217	1	658.5	1621
FBH-2500-2.5-NOZ	FBH-2500-4-NOZ	225	4.89	244.5	1	760	17.88



08 | HORIZONTAL BOBBINED FILTERS

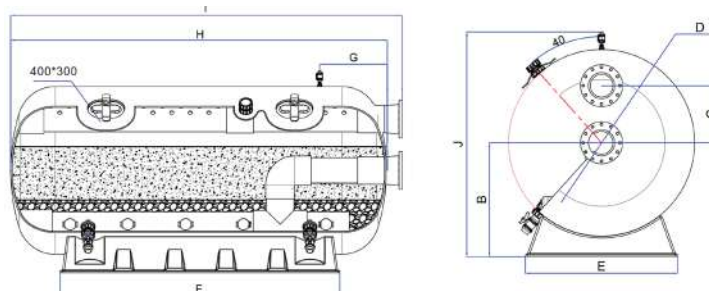
✓ Technical features

A Horizontal, bobbin-wound sand filter available in lateral or nozzle plate systems for air scouring capabilities

- Bobbin-wound fiberglass construction reinforced with polyester resin
- Horizontal cylinder tank with multiple layer construction for anti-corrosive and chemical protection
- UV resistant - Suitable for operation under prolonged sunlight
- Includes built-in service manhole for easy maintenance
- Equipped with a manometer for easy inspection of inlet and outlet working pressure
- Filtration Velocity : 20, 30 or 40m³/h/m²
- Media size: 0.5 - 0.8mm, 1 - 2mm (Recommended)
- Maximum operating pressure: 2.5 or 4 bar, Test pressure: 4 or 6 bar
- Warranty: 5 years on filter body
- Manifold and valves are not included



Dimensions



FILTRATION VELOCITY	LENGTH	DIAMETER mm																
		1200		1400		1600		1800		2000		2350		2500		3000		
m ³ /h/m ²	mm	Conn.	Flow	Conn.	Flow	Conn.	Flow	Conn.	Flow	Conn.	Flow	Conn.	Flow	Conn.	Flow	Conn.	Flow	
20	1900	110	39	110	45	110	49	-	-	-	-	-	-	-	-	-	-	
	2300	110	48	-	-	-	-	-	-	-	-	-	-	-	-	-	-	
	2500	110	53	110	60	-	-	-	-	-	-	-	-	-	-	-	-	
	2700	110	57	-	-	-	-	-	-	-	-	-	-	-	-	-	-	
	3000	110	64	110	73	-	-	-	-	-	-	140	119	-	-	-	-	
	3500	-	-	-	-	-	-	-	-	-	140	125	140	141	140	149	225	180
	4000	-	-	-	-	-	-	140	125	140	144	225	163	225	172	225	208	
	4500	-	-	-	-	-	-	-	-	-	-	225	186	225	196	225	236	
	5000	-	-	-	-	-	-	-	-	-	-	225	208	225	220	225	265	
30	2500	-	-	-	-	150	101	150	112	150	130	-	-	-	-	-	-	
	2700	-	-	-	-	-	-	-	-	-	-	-	-	-	-	-	-	
	3000	-	-	140	110	140	123	140	137	140	159	225	178	-	-	-	-	
	3500	-	-	-	-	-	-	140	162	140	187	225	212	225	223	250	270	
	4000	-	-	-	-	-	-	140	187	140	216	-	-	-	-	250	312	
	4500	-	-	-	-	-	-	-	187	140	245	-	-	250	294	250	355	
	5000	-	-	-	-	-	-	-	-	-	-	250	312	250	329	250	397	
40	1900	140	79	140	89	140	99	-	-	-	-	-	-	-	-	-	-	
	2300	140	97	-	-	-	-	-	-	-	-	-	-	-	-	-	-	
	2500	140	107	140	121	225	134	200	150	200	174	-	-	-	-	-	-	
	2700	140	115	-	-	-	-	-	-	-	-	-	-	-	-	-	-	
	3000	140	129	225	147	225	164	200	183	200	212	250	238	-	-	-	-	
	3500	-	-	-	-	-	-	250	216	250	250	250	282	250	297	300	360	
	4000	-	-	-	-	-	-	250	250	250	288	250	327	250	345	300	416	
	4500	-	-	-	-	-	-	-	-	250	326	250	371	300	392	300	473	
	5000	-	-	-	-	-	-	-	-	-	-	300	416	300	439	300	530	

Models

Ø	CODE		FILTRATION VELOCITY	FILTRATION AREA	DIMENSIONS mm										QUARTZ SAND	PACK-ING	WEIGHT	VOLUME
	2.5 BAR	4 BAR	m ³ /h/m ²	M ²	B	C	D	E	F	G	H	I	J	kg	kg		m ²	
1200	H-4472-2.5	H-4472-4	20	1.96	747	325	1200	1100	1190	650	1900	2030	1500	1525	1	361	4.52	
	H-4473-2.5	H-4473-4	40	1.96	747	325	1200	1100	1190	650	1900	2060	1500	1525	1	435	4.33	
	H-4474-2.5	H-4474-4	20	2.42	747	325	1200	1100	1590	650	2300	2430	1500	1975	1	415	4.98	
	H-4475-2.5	H-4475-4	40	2.42	747	325	1200	1100	1590	650	2300	2460	1500	1975	1	510	5.14	
	H-4476-2.5	H-4476-4	20	2.65	747	325	1200	1100	1790	650	2500	2630	1500	2450	1	435	5.39	
	H-4477-2.5	H-4477-4	40	2.65	747	325	1200	1100	1790	650	2500	2660	1500	2450	1	435	5.54	
	H-4478-2.5	H-4478-4	20	2.87	747	325	1200	1100	1990	650	2700	2830	1500	2900	1	470	6.47	
	H-4479-2.5	H-4479-4	40	2.87	747	325	1200	1100	1990	650	2700	2860	1500	2900	1	565	5.95	
	H-4480-2.5	H-4480-4	20	3.21	747	325	1200	1100	2290	650	3000	3130	1500	3250	1	510	8.21	
	H-4481-2.5	H-4481-4	40	3.21	747	325	1200	1100	2290	650	3000	3160	1500	3250	1	625	6.56	
1400	H-4482-2.5	H-4482-4	20	2.23	847	390	1400	1130	1340	730	1900	2030	1700	2675	1	450	5.47	
	H-4483-2.5	H-4483-4	40	2.23	847	390	1400	1130	1340	730	1900	2060	1700	2675	1	550	5.69	
	H-4484-2.5	H-4484-4	20	3.02	847	390	1400	1130	1840	730	2500	2630	1700	3625	1	550	8.36	
	H-4485-2.5	H-4485-4	40	3.02	847	390	1400	1130	1840	730	2500	2660	1700	3625	1	615	7.39	
	H-4486-2.5	H-4486-4	20	3.67	847	390	1400	1130	2340	730	3000	3130	1700	4450	1	550	10.12	
	H-4487-2.5	H-4487-4	30	3.67	847	390	1400	1130	2340	730	3000	3160	1700	4450	1	575	8.93	
H-4488-2.5	H-4488-4	40	3.67	847	390	1400	1130	2340	730	3000	3180	1700	4450	1	710	9.01		



Sight glass



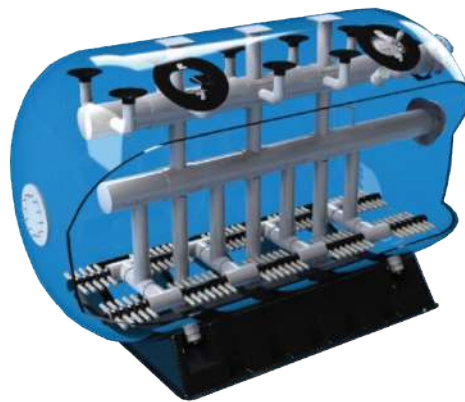
Lateral system



Manhole



Manometer



Base



Union drain



Air vent valve



Flange



Ø	CODE		FILTRATION VELOCITY m ³ /h/m ²	FILTRATION AREA M ²	DIMENSIONS mm								QUARTZ SAND kg	PACK-ING	WEIGHT kg	VOLUME m ³	
	2.5 BAR	4 BAR			B	C	D	E	F	G	H	I					J
1600	H-4489-2.5	H-4489-4	20	2.47	945	475	1600	1440	1210	810	1900	2130	1900	3450	1	490	7.84
	H-4490-2.5	H-4490-4	40	2.47	945	475	1600	1440	1210	810	1900	2160	1900	3450	1	615	7.94
	H-4491-2.5	H-4491-4	30	3.36	945	475	1600	1440	1710	810	2500	2660	1900	4725	1	575	9.66
	H-4492-2.5	H-4492-4	40	3.36	945	475	1600	1440	1710	810	2500	2680	1900	4725	1	715	9.73
	H-4493-2.5	H-4493-4	30	4.10	945	475	1600	1440	2210	810	3000	3160	1900	5800	1	670	13.32
	H-4494-2.5	H-4494-4	40	4.10	945	475	1600	1440	2210	810	3000	3180	1900	5800	1	825	11.59
1800	H-4495-2.5	H-4495-4	30	3.74	1100	550	1800	1380	1560	850	2500	2660	2170	5825	1	650	12.26
	H-4496-2.5	H-4496-4	40	3.74	1100	550	1800	1380	1560	850	2500	2680	2170	5825	1	860	12.53
	H-4497-2.5	H-4497-4	30	4.58	1100	550	1800	1380	2060	850	3000	3160	2170	7150	1	790	15.22
	H-4498-2.5	H-4498-4	40	4.58	1100	550	1800	1380	2060	850	3000	3180	2170	7150	1	980	15.31
	H-4499-2.5	H-4499-4	30	5.41	1100	550	1800	1380	2060	850	3500	3680	2170	8475	1	890	17.46
	H-4500-2.5	H-4500-4	40	5.41	1100	550	1800	1380	2560	850	3500	3680	2170	8475	1	1100	17.54
	H-4501-2.5	H-4501-4	20	6.25	1100	550	1800	1380	3060	850	4000	4160	2170	9775	1	990	18.98
	H-4502-2.5	H-4502-4	30	6.25	1100	550	1800	1380	3060	850	4000	4180	2170	9775	1	1220	19.25
	H-4503-2.5	H-4503-4	40	6.25	1100	550	1800	1380	3060	850	4000	4180	2170	9775	1	1280	19.25
2000	H-4504-2.5	H-4504-4	30	4.34	1200	710	2000	1720	1380	1000	2500	2660	2370	7626	1	800	12.02
	H-4505-2.5	H-4505-4	40	4.34	1200	710	2000	1720	1380	1000	2500	2680	2370	7626	1	1000	11.22
	H-4506-2.5	H-4506-4	30	5.30	1200	710	2000	1720	1880	1000	3000	3160	2370	9325	1	895	15.85
	H-4507-2.5	H-4507-4	40	5.30	1200	710	2000	1720	1880	1000	3000	3180	2370	9325	1	1125	16.21
	H-4508-2.5	H-4508-4	20	6.25	1200	710	2000	1720	2380	1000	3500	3660	2370	11025	1	1000	20.01
	H-4509-2.5	H-4509-4	30	6.25	1200	710	2000	1720	2380	1000	3500	3680	2370	11025	1	1250	18.76
	H-4510-2.5	H-4510-4	40	6.25	1200	710	2000	1720	2380	1000	3500	3680	2370	11025	1	1280	18.76
	H-4511-2.5	H-4511-4	20	7.21	1200	710	2000	1720	2880	1000	4000	4160	2370	12725	1	1090	23.70
	H-4512-2.5	H-4512-4	30	7.21	1200	710	2000	1720	2880	1000	4000	4180	2370	12725	1	1345	22.14
	H-4513-2.5	H-4513-4	40	7.21	1200	710	2000	1720	2880	1000	4000	4180	2370	12725	1	1430	22.14
	H-4514-2.5	H-4514-4	30	8.16	1200	710	2000	1720	3380	1000	4500	4680	2370	14450	1	1170	26.86
	H-4515-2.5	H-4515-4	40	8.16	1200	710	2000	1720	3380	1000	4500	4680	2370	14450	1	1460	24.99

Ø	CODE		FILTRATION VELOCITY m³/h/m²	FILTRA-TION AREA M²	DIMENSIONS mm								QUARTZ SAND kg	PACK-ING	WEIGHT kg	VOUME m³	
	2.5 BAR	4 BAR			B	C	D	E	F	G	H	I					J
2350	H-4516-2.5	H-4516-4	20	5.94	1390	710	2350	1950	1270	1180	3000	3160	2730	11875	1	1030	22.35
	H-4517-2.5	H-4517-4	30	5.94	1390	710	2350	1950	1270	1180	3000	3180	2730	11875	1	1320	23.00
	H-4518-2.5	H-4518-4	40	5.94	1390	710	2350	1950	1270	1180	3000	3180	2730	11875	1	1340	23.00
	H-4519-2.5	H-4519-4	20	7.06	1390	710	2350	1950	1170	1180	3500	3660	2730	14175	1	1125	27.33
	H-4520-2.5	H-4520-4	30	7.06	1390	710	2350	1950	1170	1180	3500	3680	2730	14175	1	1425	26.46
	H-4521-2.5	H-4521-4	40	7.06	1390	710	2350	1950	1170	1180	3500	3680	2730	14175	1	1480	26.46
	H-4522-2.5	H-4522-4	20	8.17	1390	710	2350	1950	2270	1180	4000	4180	2730	16450	1	1270	31.20
	H-4523-2.5	H-4523-4	40	8.17	1390	710	2350	1950	2270	1180	4000	4180	2730	16450	1	1595	30.05
	H-4524-2.5	H-4524-4	20	9.28	1390	710	2350	1950	2770	1180	4500	4680	2730	18725	1	1450	33.37
	H-4525-2.5	H-4525-4	40	9.28	1390	710	2350	1950	2770	1180	4500	4680	2730	18725	1	1805	33.37
	H-4526-2.5	H-4526-4	20	10.4	1390	710	2350	1950	3270	1180	5000	5180	2730	21000	1	1595	36.61
	H-4527-2.5	H-4527-4	30	10.4	1390	710	2350	1950	3270	1180	5000	5180	2730	21000	1	1975	36.61
2500	H-4528-2.5	H-4528-4	40	10.4	1390	710	2350	1950	3270	1180	5000	5180	2730	21000	1	2000	36.61
	H-4529-2.5	H-4529-4	20	7.34	1480	710	2500	2120	1850	1270	3500	3660	2900	14850	1	1170	28.42
	H-4530-2.5	H-4530-4	30	7.34	1480	710	2500	2120	1850	1270	3500	3680	2900	14850	1	1500	28.80
	H-4531-2.5	H-4531-4	40	7.34	1480	710	2500	2120	1850	1270	3500	3680	2900	14850	1	1520	28.80
	H-4532-2.5	H-4532-4	20	8.62	1480	710	2500	2120	2350	1270	4000	4180	2900	17225	1	1320	32.60
	H-4533-2.5	H-4533-4	40	8.62	1480	710	2500	2120	2350	1270	4000	4180	2900	17225	1	1680	32.60
	H-4534-2.5	H-4534-4	20	9.80	1480	710	2500	2120	2850	1270	4500	4680	2900	19650	1	1480	21.50
	H-4535-2.5	H-4535-4	30	9.80	1480	710	2500	2120	2850	1270	4500	4680	2900	19650	1	1860	21.50
	H-4536-2.5	H-4536-4	40	9.80	1480	710	2500	2120	2850	1270	4500	4680	2900	19650	1	1960	21.50
	H-4537-2.5	H-4537-4	20	10.98	1480	710	2500	2120	3350	1270	5000	5180	2900	22050	1	1650	40.50
3000	H-4538-2.5	H-4538-4	30	10.98	1480	710	2500	2120	3350	1270	5000	5180	2900	22050	1	2170	40.50
	H-4539-2.5	H-4539-4	40	10.98	1480	710	2500	2120	3350	1270	5000	5180	2900	22050	1	2190	40.50
	H-4540-2.5	H-4540-4	20	8.98	1730	710	3000	2600	1880	1480	3500	3680	3410	22375	1	1460	41.47
	H-4541-2.5	H-4541-4	30	8.98	1730	710	3000	2600	1880	1480	3500	3680	3410	22375	1	1860	41.47
	H-4542-2.5	H-4542-4	40	8.98	1730	710	3000	2600	1880	1480	3500	3680	3410	22375	1	1890	41.47
	H-4543-2.5	H-4543-4	20	10.40	1730	710	3000	2600	2380	1480	4000	4180	3410	25975	1	1650	46.56
	H-4544-2.5	H-4544-4	30	10.40	1730	710	3000	2600	2380	1480	4000	4180	3410	25975	1	2075	46.56
	H-4545-2.5	H-4545-4	40	10.40	1730	710	3000	2600	2380	1480	4000	4180	3410	25975	1	2090	46.56
	H-4546-2.5	H-4546-4	20	11.82	1730	710	3000	2600	2880	1480	4500	4680	3410	29600	1	1835	52.52
	H-4547-2.5	H-4547-4	30	11.82	1730	710	3000	2600	2880	1480	4500	4680	3410	29600	1	2300	52.52
	H-4548-2.5	H-4548-4	40	11.82	1730	710	3000	2600	2880	1480	4500	4680	3410	29600	1	2330	52.52
	H-4549-2.5	H-4549-4	20	13.24	1730	710	3000	2600	3380	1480	5000	5180	3410	33175	1	2030	57.72
	H-4550-2.5	H-4550-4	30	13.24	1730	710	3000	2600	3380	1480	5000	5180	3410	33175	1	2440	57.72
	H-4551-2.5	H-4551-4	40	13.24	1730	710	3000	2600	3380	1480	5000	5180	3410	33175	1	2450	57.72



09 | DUAL STACK SAND FILTERS

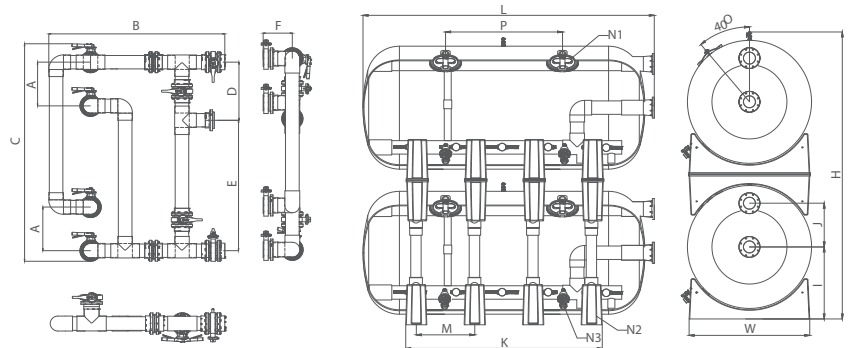
✓ Technical features

A duel, stackable, lateral filtration system with long term performance suitable for high-load/high-flow water systems including public pools and waterpark

- Horizontal cylinder tank made of strong durable construction. Grey glossy finish
- Resistant against structural failures caused by corrosion and pressure
- Compact design requiring minimal floor space
- Includes integral base for self-supporting, stackable configuration to double the filtration capacity
- Optional vinyl ester resin coating for maximum resistance against salt water corrosion and chemicals including ozone
- Media size: 0.5 - 0.8mm, 1 - 2mm (Recommended)
- Maximum operating pressure: 4 bar (58psi)
- Warranty: 5 years on filter body
- Manifold and valves are not included



Dimensions



CODE	TANK SIZE mm	FLANGE CONNECTIONS	DIMENSIONS mm					
			A	B	C	D	E	F
TH1400-2.5	1400	160 / 6"	390	1970	2805	386	2023	352
TH1600-2.5	1600	160 / 6"	475	1970	2396	386	1638	352
TH2000-4.5	2000	200 / 8"	710	2836	3538	940	2121	464

Models

CODE	TANK SIZE	FILTER AREA (M ²)	FLANGE CONNECTIONS	FLOW (m ³ /h) V=30m ³ /h/m ²	QUARTZ SAND kg	DIMENSIONS mm						N1/N2	N3	PACK-ING	WEIGHT kg	VOLUME m ³		
						I	J	K	M	H	P						L	W
TH1400-2.5	1400 X 2500	3.02 X 2	160 / 6"	181	7250	886	750	693	286	390	--	2750	1370	2	2 inch x 2	1	1830	3.6 X 2
TH1600-2.5	1600 X 2500	3.36 X 2	160 / 6"	201	9450	998	862	805	318	500	--	2750	1570	2	4 inch x 2	1	2270	4.6 X 2
TH2000-4.5	2000 X 4500	8.16 X 2	200 / 8"	489	28900	438	501	835	360	390	1880	4770	1920	4	4 inch x 4	1	5360	12.7 X 2

Flange connection standard optional: GB(HG20592 PN1.0MPa) or ANSI(ANSI B16.5(1988) Class150)

10 | STAINLESS STEEL SAND FILTERS TYPE "XE"

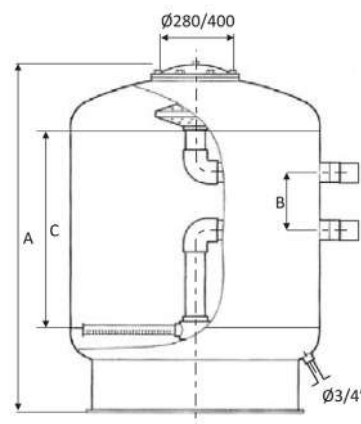
✓ Technical features

A stainless steel sand filter with optional 6-way multiport side mounted selector for filters up to 950mm

- 6-way multiport valve, side mounted for easy operation and maintenance (Filtration, rinsing, circulation, flush, close and drain)
- Manufactured in stainless steel (AISI 304 V2A or AISI 316 L V4A). For 316, add -316 to the code
- Vertical cylinder body with external polished finish
- Internal water distribution (For nozzle plate distribution, add '-lux' to the code)
- Manhole diameter: Ø 280 / 400mm
- Maximum operating pressure: 2.5 bar (Test pressure: 4 bar)
- On-demand filter can be supplied with:
 - Working pressure: 4 bar (Test pressure: 6 bar) - Add '-406' to the code
 - Working pressure: 6 bar (Test pressure: 10 bar) - Add '-0610' to the code
 - Working pressure: 10 bar (Test pressure: 15 bar) - Add '-1015' to the code
- Warranty: 5 years on filter body
- Manifold and valves are not included



Dimensions



Models

CODE	ø mm	CONNECTIONS	FLOW	QUARTZ SAND	DIMENSIONS mm			PACKING	WEIGHT	VOLUME	
			(m ³ /h) V=50m ³ /h/m ²	kg	A	B	C		kg	m ³	
XE-500	XE-500-316	500	1½"	10	200	1050	200	750	2	54	0.28
XE-630	XE-630-316	630	1½"	15	300	1130	200	750	2	70	0.47
XE-800	XE-800-316	800	2"	25	450	1200	200	750	2	90	0.79
XE-950	XE-950-316	950	2"	35	700	1300	200	750	2	112	1.2
XE-1100	XE-1100-316	1100	2½"	47	900	1350	200	750	1	112	1.2
XE-1200	XE-1200-316	1200	3"	56	1200	1400	200	750	1	160	2.4



11 | STAINLESS STEEL SAND FILTERS TYPE "XR" BED HEIGHT 1250 MM

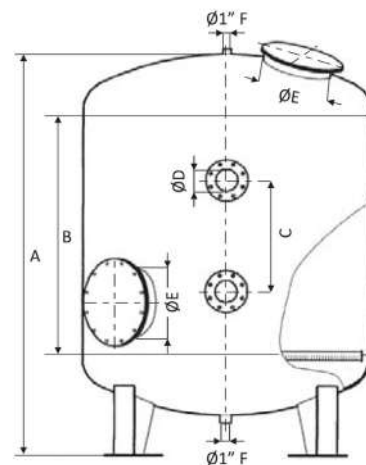
✓ Technical features

A stainless steel sand filter with nozzle plate internal water distribution and a filtration bed height of 1250mm

- Manufactured in stainless steel (AISI 304 V2A or AISI 316 L V4A)
For 316, add -316 to the code
- External pickling to remove oxide scale, heat tint and to protect from corrosion
- Magnesium Anode protection
- Includes two hand holes for easy access
- Maximum operating pressure: 2.5 bar (Testing pressure: 4 bar)
- On-demand filter can be supplied with:
 - Working pressure: 4 bar (Test pressure: 6 bar) - Add '-406' to the code
 - Working pressure: 6 bar (Test pressure: 10 bar) - Add '-0610' to the code
 - Working pressure: 10 bar (Test pressure: 15 bar) - Add '-1015' to the code
- Warranty: 5 years on filter body
- Manifold and valves are not included



📏 Dimensions



🔍 Models

CODE	Ø mm	CONNECTIONS mm	FLOW	QUARTZ SAND	DIMENSIONS mm					PACKING	WEIGHT	VOLUME	
			(m ³ /h) V=50m ³ /h/m ²	kg	A	B	C	D	E		kg	m ³	
XR-1250	XR-1250-316	1250	DN 80	60	2000	2040	1250	400	Ø80	Ø280/400	1	900	4.9
XR-1400	XR-1400-316	1400	DN 100	77	2700	2160	1250	500	Ø100	Ø400	1	1000	5.5
XR-1600	XR-1600-316	1600	DN 100	100	3100	2340	1250	500	Ø100	Ø400	1	1100	8.5
XR-1800	XR-1800-316	1800	DN 125	127	4000	2400	1250	500	Ø125	Ø400	1	1350	10.3
XR-2000	XR-2000-316	2000	DN 150	157	4900	2400	1250	500	Ø150	Ø400	1	1550	11.5
XR-2200	XR-2200-316	2200	DN 200	190	5700	2400	1250	500	Ø200	Ø400	1	1750	12.6
XR-2400	XR-2400-316	2400	DN 200	226	6786	2450	1250	500	Ø200	Ø400	1	2050	14.4

12 | STAINLESS STEEL SAND FILTERS TYPE "XL" BED HEIGHT 1500 MM

✓ Technical features

A stainless steel sand filter with nozzle plate internal water distribution and a filtration bed height of 1500mm. Includes 6-way multiport valves for filters up to 950mm

- 6-way multiport valve, side mounted for easy operation and maintenance (Filtration, rinsing, circulation, flush, close and drain)
- Manufactured in stainless steel (AISI 304 V2A or AISI 316 L V4A)
For 316, add -316 to the code
- External pickling to remove oxide scale, heat tint and to protect from corrosion
- Complete with sight glass, manhole and handhole for easy access
- Magnesium Anode protection
- Maximum operating pressure: 2.5 bar (Testing pressure: 4 bar)
- On-demand filter can be supplied with:

-Working pressure: 4 bar (Test pressure: 6 bar) - Add '-406' to the code

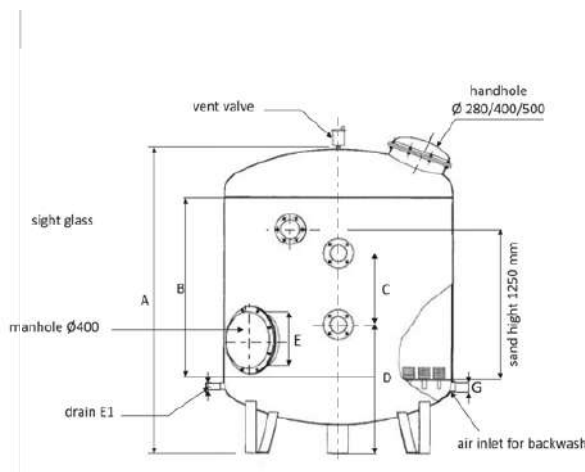
-Working pressure: 6 bar (Test pressure: 10 bar) - Add '-0610' to the code

-Working pressure: 10 bar (Test pressure: 15 bar) - Add '-1015' to the code

- Warranty: 5 years on filter body
- Manifold and valves are not included



Dimensions



Q Models

CODE	Ø mm	CONNECTIONS	FLOW (m ³ /h) V=50m ³ /h/m ²	DIMENSIONS mm								QUARTZ SAND	PACKING	WEIGHT	VOLUME
				A	B	C	D	E	F	G	kg	kg		m ³	
XL-500	XL-500-316	500	1.5"	10	1950	1500	400	900	Ø400	1"	1½"	375	2	150	1.9
XL-630	XL-630-316	630	1.5"	15	1950	1500	400	900	Ø400	1"	1½"	575	2	220	2.3
XL-800	XL-800-316	800	2"	25	2050	1500	400	900	Ø400	1"	1½"	900	2	380	3.3
XL-950	XL-950-316	950	2"	35	2100	1500	500	900	Ø400	1"	1½"	1300	2	540	4
XL-1100	XL-1100-316	1100	DN 65	47	2150	1500	500	900	Ø400	1"	2"	1925	1	810	5.2
XL-1250	XL-1250-316	1250	DN 80	60	2200	1500	500	900	Ø400	1"	2"	2300	1	930	6
XL-1400	XL-1400-316	1400	DN 100	77	2300	1500	600	900	Ø400	1"	2"	3300	1	1050	7.4
XL-1600	XL-1600-316	1600	DN 125	100	2400	1500	600	900	Ø400	1"	2"	3925	1	1150	9.2
XL-1800	XL-1800-316	1800	DN 125	125	2540	1500	600	1000	Ø400	1½"	2½"	4700	1	1450	11.6
XL-2000	XL-2000-316	2000	DN 150	157	2650	1500	600	1000	Ø400	1½"	2½"	5600	1	1650	14
XL-2200	XL-2200-316	2200	DN 150	189	2700	1500	600	1000	Ø400	1½"	3"	7100	1	1950	16
XL-2400	XL-2400-316	2400	DN 200	225	2750	1500	600	1000	Ø400	1½"	3"	8400	1	2250	18.1



13 | HOT ZINC PLATED CARBON STEEL FILTERS TYPE "ZR"

✓ Technical features

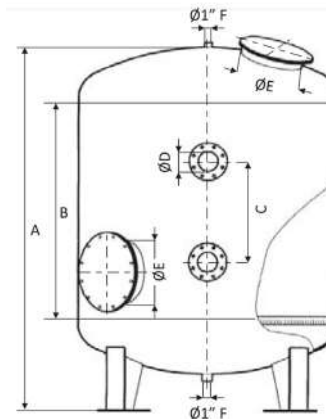
A hot zinc plated carbon steel sand filter offering a superior level of protection against rust and corrosion.

- Carbon steel filter tank varnished with corrosion-resistant epoxy coating
- Internal water distribution with arm collectors as standard. For nozzle plate please add '-lux' to the code
- Filtration bed depth: 1250mm
- Complete with manhole and handhole access for easy maintenance
- Max filtration velocity: 50m³/h/m²
- Max operating pressure: 2.5 bar (Testing pressure: 4 bar)
- Warranty: 5 years on filter body
- Manifold and valves are not included

Please note: You are recommended to earth the installation



📏 Dimensions



🔍 Models

CODE	Ø mm	CONNECTIONS mm	FLOW	QUARTZ SAND	DIMENSIONS mm					PACKING	WEIGHT	VOLUME
			(m ³ /h) V=50m ³ /h/m ²	kg	A	B	C	D	E		kg	m ³
01001	1250	Din 80	60	2000	2040	1250	900	Ø90	Ø400	1	1040	4.9
01002	1500	Din 100	88	2900	2160	1250	900	Ø90	Ø400	1	1125	5.5
01006	1600	Din 125	100	2900	2160	1250	900	Ø140	Ø400	1	1200	8.5
01003	1800	Din 125	127	2900	2160	1250	900	Ø140	Ø400	1	1450	10.3
01004	2000	Din 150	190	5700	2400	1250	900	Ø160	Ø400	1	1650	11.5
01007	2200	Din 150	196	5700	2400	1250	900	Ø160	Ø400	1	1850	12.6
01005	2400	Din 200	226	6786	2450	1250	900	Ø225	Ø400	1	2150	14.4

14 | HOT ZINC PLATED CARBON STEEL FILTERS TYPE "VL" BED HEIGHT 1500

✓ Technical features

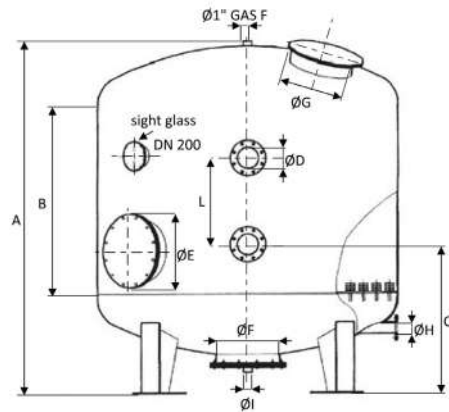
A nozzle plate, hot zinc plated, carbon steel sand filter with a filtration bed depth of 1500mm and offers superior levels of protection against rust and corrosion.

- Carbon steel filter tank varnished with epoxy paint
- Internal water distribution with arm collectors as standard
- Filtration bed depth: 1500mm
- Sand: 1250 / 1300mm
- Complete with sight glass, manhole and handhole for easy access
- Max Filtration velocity: 50m³/h/m²
- Max: Operating pressure: 2.5 bar (Testing pressure: 4 bar)
- Warranty: 5 years on filter body
- Manifold and valves are not included

Please note: You are recommended to earth the installation
Valves not included



Dimensions



Q Models

CODE	Ø mm	CONNECTIONS mm	FLOW	QUARTZ SAND	DIMENSIONS mm										PACKING	WEIGHT	VOLUME
			(m ³ /h) V=50m ³ /h/m ²		kg	A	B	C	L	ØD	ØE	ØF	ØH	ØI		kg	m ³
01011	1250	DN 80	60	2300	2300	1500	1000	600	90	400	400	DN 65	1" F	1	1070	6	
01013	1400	DN 100	70	3300	2400	1500	1000	600	110	400	500	DN 65	1" F	1	1150	7.4	
01014	1600	DN 125	100	3920	2400	1500	1100	600	140	400	500	DN 65	1½" F	1	1250	9.2	
01015	1800	DN 125	117	4700	2600	1500	1100	600	140	500	500	DN 65	1½" F	1	1550	11.6	
01017	2000	DN 150	130	5600	2600	1500	1100	600	160	500	500	DN 65	2" F	1	1750	14	
01019	2200	DN 150	196	7100	2650	1500	1100	600	160	500	500	DN 65	2" F	1	2050	16	
01020	2400	DN 200	220	8400	2700	1500	1100	600	160	500	600	DN 65	2" F	1	2350	18.1	
01022	2800	DN 200	300	11500	3100	1500	1100	600	225	500	600	DN 65	2" F	1	2550	20	
01023	3000	DN 200	350	13000	3150	1500	1100	600	225	500	600	DN 100	2" F	1	2750	22.1	



15 | CARTRIDGE FILTER "BIG ONE"

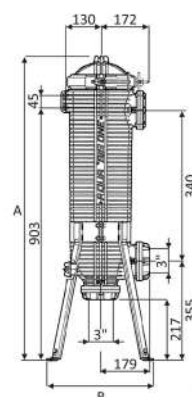
✓ Technical features

A unique design, polypropylene Cartridge filter, developed to treat large volumes of water and ideal for professional applications where high performance and reliability is guaranteed.

- Polypropylene housing with plastic drain plug and relief valve
- 2-piece compact container with 3 inch female In-Out threading
- Stainless steel clamp for easy access during maintenance
- Uses cartridge sizes 23 inch and 40 inch
- Maximum operating pressure: 6 bar
- Burst pressure: 20 bar
- Maximum operating temperature: 40 °C
- Capacity (empty) at 2 bar: 60m³/h
- Filtration grade: 3, 20 or 50 micron
- Warranty: 5 years on filter body



📏 Dimensions



🔍 Models

CODE	HIGHT	CONNECTIONS	DIMENSIONS mm		PACKING	WEIGHT kg	VOLUME m ³
			A	B			
A1150110	23"	3"	1090	388	1	19	0.02
A1150120	40"	3"	1500	388	1	22.5	0.28

- Polyester housing. Polypropylene Core. End caps in FON and O-Ring in NBR
- Two sizes available (height): 23 inch and 40 inch
- Inner diameter: 76mm
- Outer diameter: 147.5mm
- Efficiency: 95%
- Maximum operating pressure: 6 bar
- Maximum differential pressure: 0.8 bar (Recommended)
- Maximum operating temperature: 80°C

CARTRIDGE FILTER ELEMENT

CODE	HIGHT	FILTRATION GRADE	FLOW	PACKING	WEIGHT kg	VOLUME m ³
		micron	(m ³ /h)			
A4088010	23"	3	14	1	1.3	0.02
A4088020	23"	20	22	1	1.3	0.02
A4088030	23"	50	27	1	1.3	0.02
A4088040	40"	3	28	1	2.2	0.03
A4088050	40"	20	44	1	2.2	0.03
A4088060	40"	50	54	1	2.2	0.03



16 | CARTRIDGE FILTER "CF SERIES"

✓ Technical features

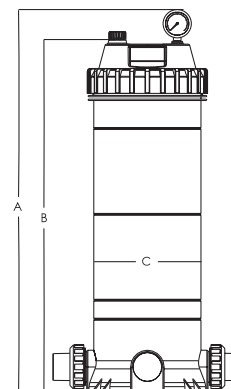
- comes with a UV resistant tank and a heavy duty ring-lock lid which allows easy cleaning and replacement of the cartridge element.
- A screw type air bleed valve releases trapped air inside the filter tank.
- The high quality oil-filled pressure gauge provides an easy overview of the operating pressure.
- Max Operating Pressure : 250kPa/36psi(2.5bar)
- Max Temperature : 40°C (104°F)
- CF Series Filter is equipped with :
 - universal standard of union connection
 - pressure gauge
 - cartridge filter element



Dimensions

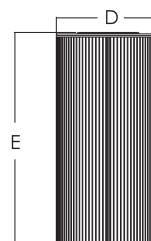
Q Models

CODE	FILTER AREA (M2)	VALVE CONNECTIONS	FLOW (m³/h)	DIMENSIONS mm			PACKING	WEIGHT kg	VOLUME m³
				A	B	C			
CF25	2.25	1.5" / 50mm	5.5m³/h	445	387	225	1	6	0.050
CF50	4.63	1.5" / 50mm	11.4m³/h	625	567	225	1	7.5	0.068
CF75	7.00	1.5" / 50mm	17.0m³/h	805	747	225	1	9	0.085
CF100	9.40	2.0" / 63mm	22.9m³/h	985	927	225	1	10.5	0.102
CF150	13.72	2.0" / 63mm	33.4m³/h	1165	1107	225	1	12.5	0.120
CF200	16.82	2.0" / 63mm	40.9m³/h	1345	1287	225	1	14.7	0.137



CARTRIDGE FILTER ELEMENT

CODE	D mm	E mm	MICRON mm	FOLD NUMBER	PACKING	WEIGHT	VOLUME
						kg	m³
CF25-CE	Ø183	184.5	≥ 15	150	1	11.1	0.080
CF50-CE	Ø183	364.5	≥ 15	150	1	16.50	0.15
CF75-CE	Ø183	544.5	≥ 15	150	1	22.7	0.23
CF100-CE	Ø183	724.5	≥ 15	150	1	14.5	0.15
CF150-CE	Ø183	904.5	≥ 15	175	1	18.8	0.19
CF200-CE	Ø183	544.5 x 2	≥ 15	180	1	22.7	0.23





17 GALAXY SINGLE-ELEMENT CARTRIDGE FILTER

✓ Technical features

Galaxy Single-Element Cartridge Filter is built with high-strength and UV-resistant material to prolong the product life. The compact and low height design is suitable for any pool especially with limited system setup space. The extensive dirt-catching capability of the filter element makes this filter highly efficient. A reliable choice for crystal clear water.

Big one-piece cartridge element provides a large filtration surface for trapping more dirt and debris. Less cleaning required, and unlike sand filters, needs no backwashing thus saving water and its precious chemicals.

- Locking ring with quick-release latch allows removing and installing the top tank quickly.
- Large water drain makes fast and easy winterisation.
- Simple cleaning and rinsing the filter element with a garden hose
- 4 x mounting holes
- Easy-grip lid handle
- Indicative pressure gauge tells you when to service
- Knee-height tank base facilitates easy cartridge replacement
- Galaxy series filter is equipped with:
 - Universal standard of union connection
 - Pressure gauge
 - Cartridge filter element



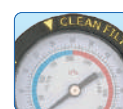
Quick-release lock ring



Air relief valve

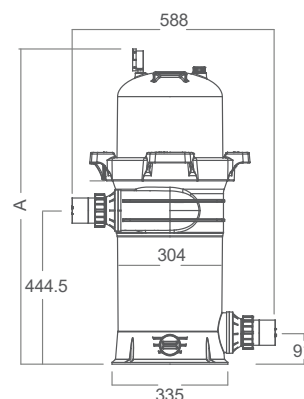


Large water drain



Smart pressure gauge

📏 Dimensions

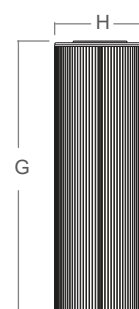


🔍 Models

CODE	FILTER AREA (m ²)	VALVE CONNECTIONS	FLOW (m ³ /h)	DIMENSIONS mm		PACKING	WEIGHT kg	VOLUME m ³
				A				
ICF100	9.29	2" / 2.5"	22.7	825		1	18.3	0.176
ICF150	13.94	2" / 2.5"	27.3	910		1	19.8	0.195
ICF200	18.58	2" / 2.5"	27.3	1033		1	22.9	0.223

CARTRIDGE FILTER ELEMENT

CODE	H mm	G mm	MICRON μ m	FOLD NUMBER	PACKING	WEIGHT kg	VOLUME m ³
ICF150-CE	Ø267	590	15	172	1	17.9	0.181
ICF200-CE	Ø267	717	15	187	1	22.2	0.216



18 GALAXY MULTI-ELEMENT CARTRIDGE FILTER

Technical features

The Galaxy Multi-Element Cartridge Filter is designed to be the best in its class. Adopting the latest technology and constructed with non-corroding and durable materials, the Galaxy Cartridge Filter has a bigger filter area than most models on the market. The high capacity tank partnered with the advanced multi-element raises hydraulic dirt-catching performance to new levels. Due to being eco and user friendly, it's the ideal choice for residential and commercial pools.

- Indicative pressure gauge tells you when to service
- Optional removable, easy-grip handle
- Knee-height tank base facilitates easy cartridge replacement
- 3-session clamp kit allows removing and installing the top tank quickly
- Large water drain makes fast, easy winterisation and simple cleaning and rinsing with a garden hose.
- Multi-element provides an enormous surface area to block more dirt thus require less cleaning. Also, no backwashing is needed like sand filters. It can save a large amount of water every year.
- Galaxy series filter is equipped with:
 - Universal standard of union connection
 - Pressure gauge
 - Cartridge filter element



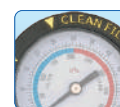
Detachable grip handle



Large flow air relief valve

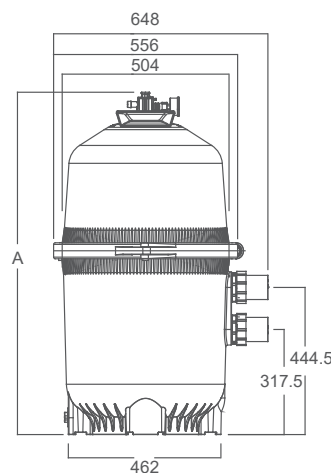


Large water drain



Smart pressure gauge

Dimensions

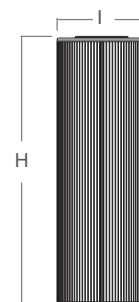


Models

CODE	FILTER AREA (m ²)	VALVE CONNECTIONS	FLOW (m ³ /h)	DIMENSIONS	PACKING	WEIGHT	VOLUME
				mm			
ICF230	21.37	2" / 2.5"	19.6	829	1	35.8	0.309
ICF330	30.73	2" / 2.5"	28.1	886	1	37.6	0.330
ICF430	39.97	2" / 2.5"	34.5	1035	1	41.7	0.379
ICF530	49.19	2" / 2.5"	34.5	1223	1	48.3	0.445
ICF680	62.13	2" / 2.5"	34.5	1362	1	56.6	0.494

CARTRIDGE FILTER ELEMENT

CODE	NO. OF ELEMENT	I mm	H mm	MICRON um	FOLD NUMBER	PACKING	WEIGHT	VOLUME
							kg	m ³
ICF230-CE	4	Ø178	441	15	156	1	14.3	0.124
ICF330-CE	4	Ø178	498	15	198	1	15.9	0.139
ICF430-CE	4	Ø178	647	15	197	1	21.2	0.179
ICF530-CE	4	Ø178	835	15	187	1	24.2	0.230
ICF680-CE	8	Ø178	485	15	209	1	16.8	0.135





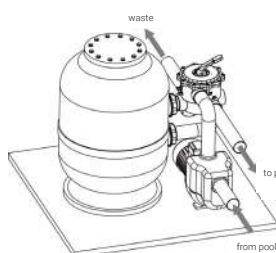
19 | SIX-WAY SELECTOR VALVES



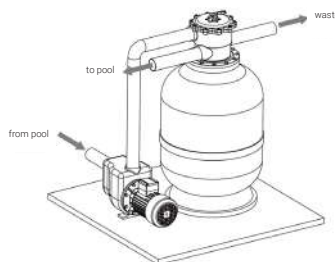
✓ Technical features

6-way multiport selector valves for filtration, backwashing, rinsing, recirculating, waste and closing operations

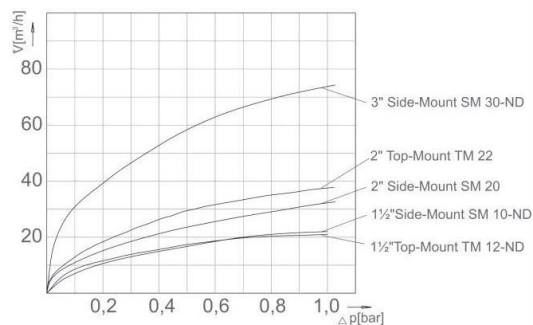
- Manufactured in premium, injection molded ABS for superior durability
- UV and impact resistant
- Easy installation, maintenance and servicing
- Extremely long-lasting sealant and pressure springs mounted at the valve plate
- Available for side or top mounting systems



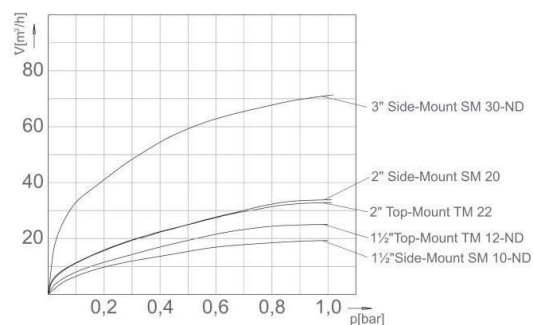
Side mount



Top mount



Pressure loss diagram filter:



Pressure loss diagram backwash

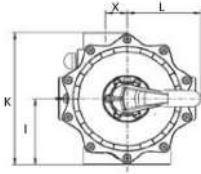
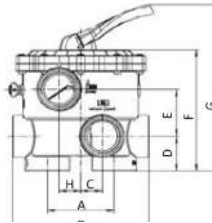
Q Models

CODE	MOUNTING	CONNECTIONS	PRESSURE	PACKING	WEIGHT	VOLUME
			bar		kg	m³
SV-15	Side	1½"	3.5	1	1.5	0.01
SV-20	Side	2"	3.5	1	2	0.02
SV-25	Side	2.5"	3.5	1	2.5	0.02
SV-30	Side	3"	3.5	1	3	0.03
TV-15 AQUARIS	Top	1½"	3.5	1	1.5	0.01
TV-15 MUNICH	Top	1½"	3.5	1	1.5	0.01
TV-15 EC- 300	Top	1½"	3.5	1	1.5	0.01
TV-15 OCEAN	Top	1½"	3.5	1	1.5	0.01

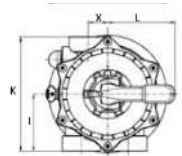
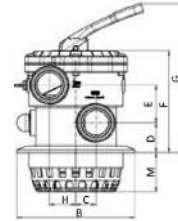
CODE	DIMENSIONS mm												
	A	B	C	D	E	F	G	H	I	K	L	M	X
SV-15	99	180	31.5	48.5	60	165	247	41.5	87.5	175	135.5	-	30
SV-20	110	227	36	60	81	210	296	36	115	230	135.5	-	36
SV-25	364	298	50	278	50	50	97	298	56.5	60	56.50	42	-
SV-30	364	298	50	278	50	50	97	298	56.5	60	56.50	42	-
TV-15 AQUARIS	130	-	31.5	38	59.5	235.5	245	41.5	90	180	135.5	46	30
TV-15 MUNICH	145	84	332	196	185	62	245	-	-	-	-	-	-
TV-15 EC- 3000	232.5	117.4	359.7	61	111	-	-	-	-	-	-	-	-
TV-15 OCEAN	148	360	185	38	38	38	38	-	-	-	-	-	-

SIX -WAY VALVES IMAGES & DRAWINGS

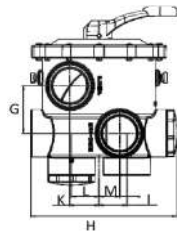
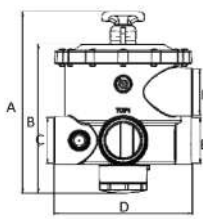
Dimensions



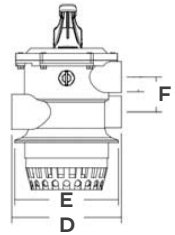
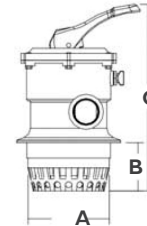
SV-15/SV-20



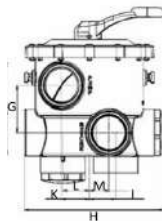
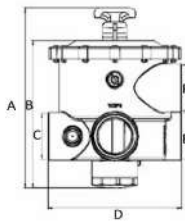
TV-15 AQUARIS



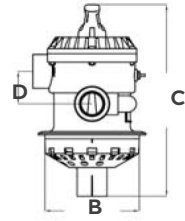
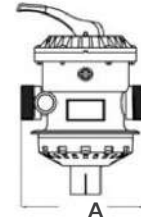
SV-25



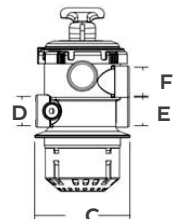
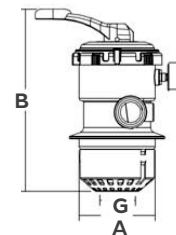
TV-MUNICH



SV-30



TV-15 EC-300



TV-15 OCEAN



20 | AQUA COMFORT TOUCH

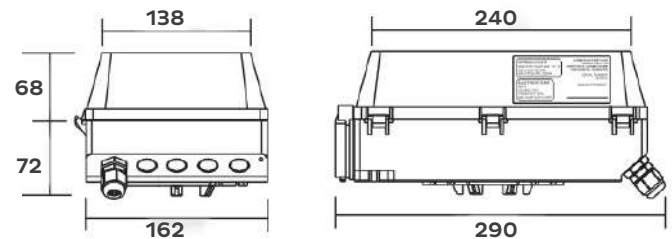
✓ Technical features

Developed exclusively for private swimming pool use, this fully automated device has been developed to be installed into systems that are not equipped with a programmable logic controller (PLC)

- Smart speed adjustment - High when backwash, low at night time.
- Smart wash - Backwash the filter with a touch of a button, easy.
- Motorised rotor - Change valve position without a handle
- Built-on pressure sensor - Back wash automatically when tank pressure is high
- 5-Inch LCD touch screen - Display and control with ease.
- Autowash OS - User friendly interface
- Weather proof casing - Sealed casing for weather proofing
- Mounting : Top or Side
- Connection 1.5" / 2"
- Adjustable pressure switch : 30 KPA-200 KPA
- Max.timer wash : 1 wash per day , 7 days schedule
- Adjustable wash time : 5-120 sec
- Pump timer : 7 days schedule , 2 cycle per day, speed asadjustable
- Auto protection : Valve to off position before system shut-down
- Pressure sensor accuracy : +/-3 kpa
- Max working pressure : 250 KPA
- Power voltage input : 220 V @ 50 Hz
- IP rating : 65



Dimensions



Models

CODE	DESCRIPTION	PACKING	WEIGHT	VOLUME
			kg	m ³
SAB-AUTO	TOUCH SCREEN AUTOMATIC VALVE "AQUA COMFORT TOUCH " FOR 1.5" OR 2" SIDE OR TOP MOUNT VALVES, TIME & PRESSURE CONTROL	1	3	0.012

21 | VALVE MANIFOLDS

✓ Technical features



All 'hidrotren' valve manifolds guarantee maximum quality and reliability

- All valve manifolds including manual, electric or pneumatic for DN 75 to DN160, and includes flanges to connect to filters DN 6 for 200 to 300
- The 'Implex' range of valves are ideal for all kinds of applications due to its multi-standard PVC design. It can be operated via a clutch or trigger
- Standard (Inside the pipes): UNE-EN-1452 (PVC-U) and UNE-EN 12201 (PE)
- Standard (Flanges): DN 80 63, ANSI 16.5, BS 10 tabala D/E, UNE-EN1452 (PVC-U)
- Sets consist of 5 valves, 6 flange sets, 2 elbows and 5 tees

Please note: All manifolds are supplied disassembled and without support brackets

🔍 Models

CODE	CONNECTION mm	MANIFOLD TYPE	NO. OF VALVES	PACKAGING	WEIGHT	VOLUME
					kg	m³
MM5-075	75	Manual	5	1	11.1	0.02
MM5-090	90				16.48	0.03
MM5-110	110				18.56	0.03
MM5-125	125				20.96	0.04
MM5-140	140				23.60	0.05
MM5-160	160				30.24	0.05
MM5-200	200				44.96	0.07
MM5-225	225				44.96	0.07
MM5-250	250				79.84	0.20
MM5-300	300				176	0.17
AM5-075	75	Electric	5	1	15.52	0.08
AM5-090	90				19.2	0.08
AM5-110	110				19.2	0.10
AM5-125	125				24	0.16
AM5-140	140				41.6	0.20
AM5-160	160				41.6	0.24
AM5-200	200				41.6	0.34
AM5-225	225				41.6	0.34
AM5-250	250				41.6	0.43
AM5-300	300				41.6	0.54
PM5-075	75	Pneumatic	5	1	34	0.08
PM5-090	90				41	0.08
PM5-110	110				67	0.14
PM5-125	125				70	0.16
PM5-140	140				101	0.23
PM5-160	160				110	0.27
PM5-200	200				140	0.46
PM5-225	225				140	0.46
PM5-250	250				275	0.54
PM5-300	300				252	0.82



MANUAL VALVE



ELECTRIC DRIVEN VALVE

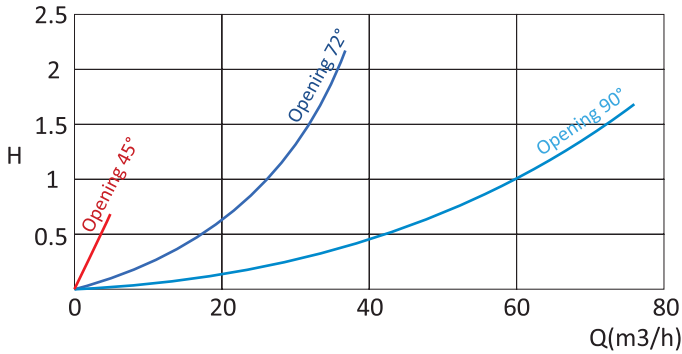


PNEUMATIC DRIVEN VALVE

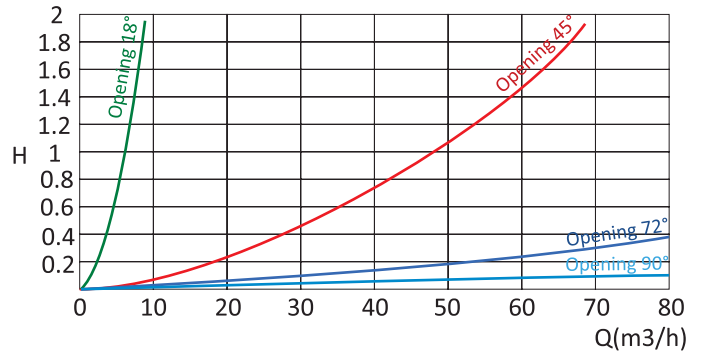


LOAD LOSS CURVES

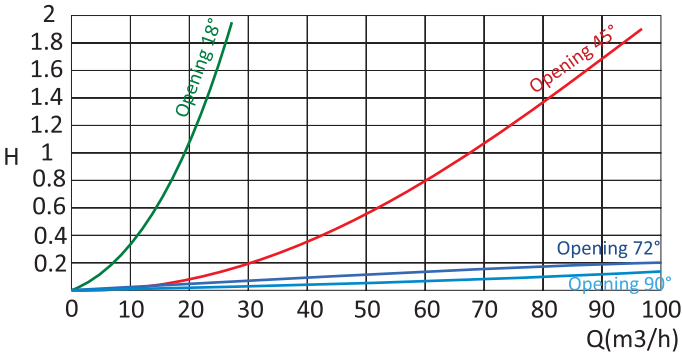
VALVES 75MM



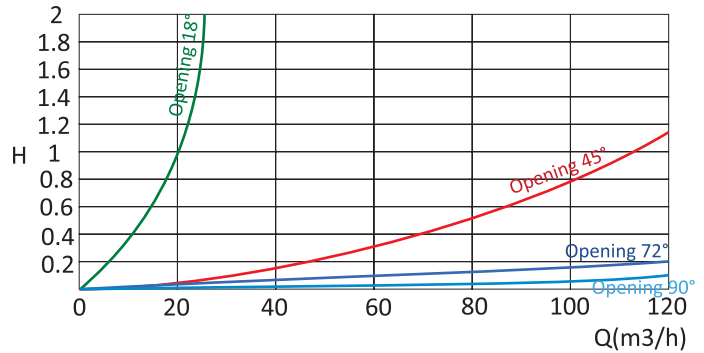
VALVES 90MM



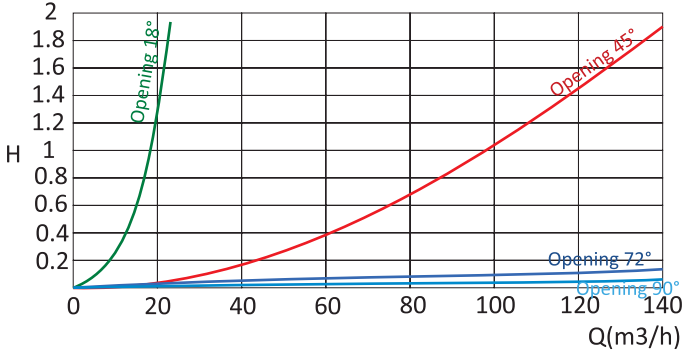
VALVES 110MM



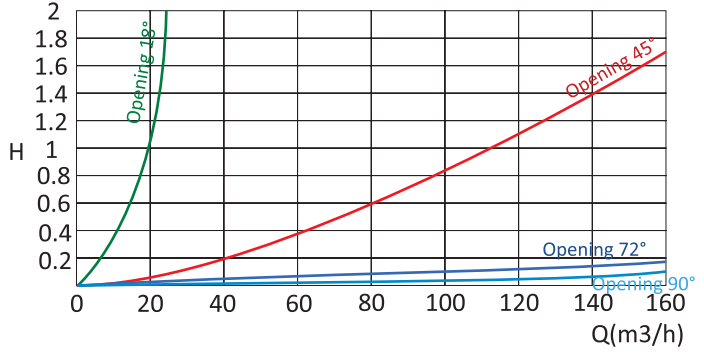
VALVES 125MM



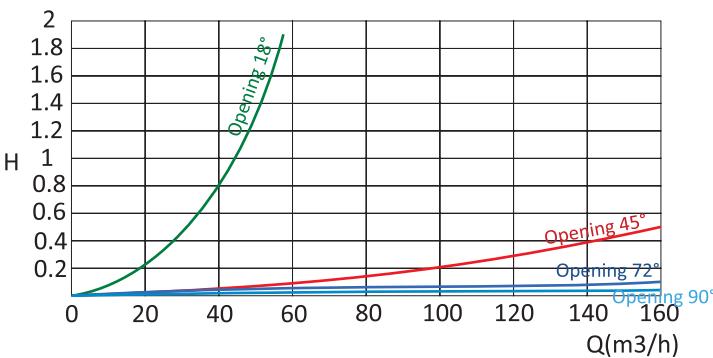
VALVES 140MM



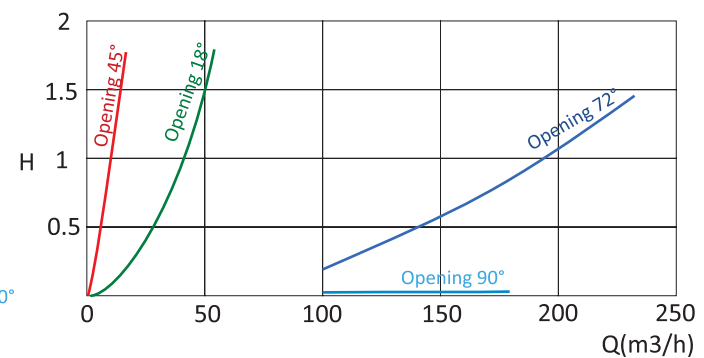
VALVES 160MM



VALVES 200/225MM



VALVES 250/300 MM

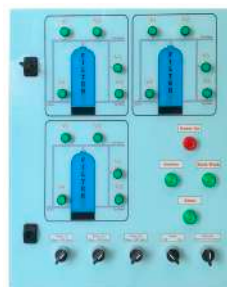


22 | CONTROL PANEL FOR VALVE MANIFOLDS

✓ Technical features

Control panel for electric or pneumatic actuated manifolds of 5 valves

- Automatic filtration, backwashing, rinsing and shut down operations
- Installed with automatic programming to execute standard operation or can be manually programmed to suit individual needs
- Quick and easy installation with a numbered terminal connection strip
- Voltage: 230V Single phase
- Time and pressure control



Q Models

CODE	DESCRIPTION	PACKING	WEIGHT	VOLUME
			kg	m ³
CPA5V-E-1	Control panel for electrically actuated manifolds of 5 valves for 1 filter	1	23.8	0.0615
CPA5V-E-2	Control panel for electrically actuated manifolds of 5 valves for 2 filters	1	23.8	0.0615
CPA5V-E-3	Control panel for electrically actuated manifolds of 5 valves for 3 filters	1	23.8	0.0615
CPA5V-E-4	Control panel for electrically actuated manifolds of 5 valves for 4 filters	1	23.8	0.0615
CPA5V-E-5	Control panel for electrically actuated manifolds of 5 valves for 5 filters	1	23.8	0.0615
CPA5V-E-6	Control panel for electrically actuated manifolds of 5 valves for 6 filters	1	23.8	0.0615
CPA5V-P-1	Control panel for pneumatically actuated manifolds of 5 valves for 1 filter	1	23.8	0.0615
CPA5V-P-2	Control panel for pneumatically actuated manifolds of 5 valves for 2 filters	1	23.8	0.0615
CPA5V-P-3	Control panel for pneumatically actuated manifolds of 5 valves for 3 filters	1	23.8	0.0615
CPA5V-P-4	Control panel for pneumatically actuated manifolds of 5 valves for 4 filters	1	23.8	0.0615
CPA5V-P-5	Control panel for pneumatically actuated manifolds of 5 valves for 5 filters	1	23.8	0.0615
CPA5V-P-6	Control panel for pneumatically actuated manifolds of 5 valves for 6 filters	1	23.8	0.0615

23 | QUARTZ SAND

Quartziferous sand for swimming pool filtering systems

- Sand type: Grinded Quartz
- Colour: White
- Weight: 25Kg bags



Q Models

CODE	GRANULOMETRY	PACKING	WEIGHT	VOLUME
	mm		kg	m ³
FM-01	0.4 - 0.8	1	25	0.015
FM-02	1.0 - 2.0	1	25	0.015
FM-03	2.0 - 3.0	1	25	0.015
FM-04	3.0 - 5.0	1	25	0.015



24 | ACTIVATED FILTER MEDIA

✓ Technical features

BIOLOGICAL INSTEAD OF CHEMICAL APPROACH

Traditional water treatment tries to avoid disease transmission by using more and more chlorine, UVC irradiation or ozone. But the transmission of pathogens is a biological problem and therefore needs a biological solution. The approach of the Dryden Aqua integrated water treatment system does exactly that: Instead of using more powerful disinfections and expensive equipment, we designed a pool water treatment process that changes the water to make it difficult for viri, bacterium and parasites to live and reproduce

PREVENT INSTEAD OF KILLING!

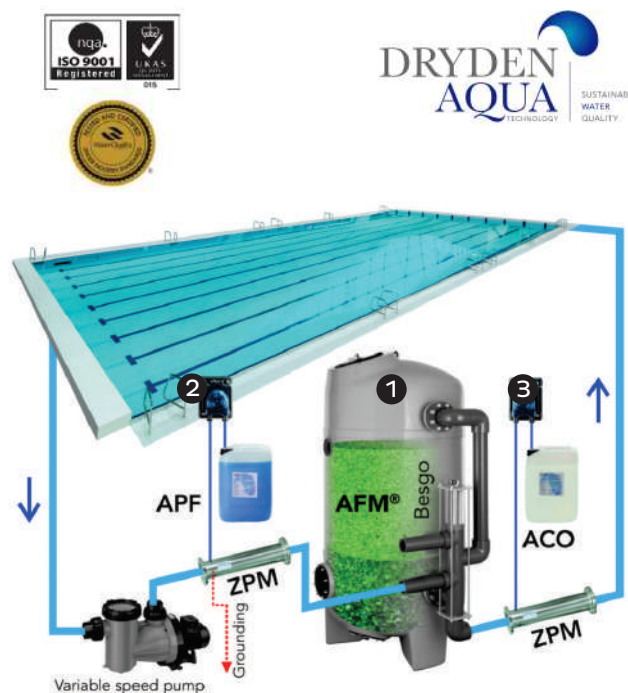
1.No substrate: As a consequence of our bio-resistant AFM®, bacterium have no substrate on which they can grow and multiply.

2.No nutrients: We remove food for bacteria by advanced coagulation, variable speed pump flocculation and filtration. Bacterium cannot grow anymore.

3.The lower the chlorine demand, the lower the disinfection by-products (DBP'S): DAISY filters almost everything out of the water and reduces the chlorine demand to the lowest level possible. The lower the chlorine oxidation demand, the lower the concentration of chlorine disinfection by-products in the water and in the air. AFM® stands for Activated Filter Media, a revolutionary filter media made from green container glass, developed by marine biologist Dr. Howard Dryden. AFM® exceeds the performance of quartz and glass sand by filtering 30% - 50% more organics and sub 5 micron particles out of the water. The catalytic properties on the surface of AFM® make it self-sterilizing and bio-resistant, which means no biofilm is formed in the filter bed. This reduces the chlorine demand and therefore the formation of harmful volatile disinfection by-products such as THM's, cyanogen chloride and trichloramine. Not only the chlorine smell but also the risk of getting infected by pathogens like Legionella or cryptosporidium, is greatly reduced. The pool is healthier for people, especially children, safer for the environment and economical with crystal clear water. AFM® has been successfully used in over 500,000 public and private swimming pools worldwide.

AFM® — ACTIVATED FILTER MEDIA 10

AFM® is a unique bio resistant filter media. The raw material used for AFM® is green container glass. The glass is washed, disinfected, thermally treated and then reduced to a very specific grain size and shape. For security reasons, the production process (cyclonic size reduction) assures that no dangerous glass splinters are present in the filter media. After size reduction, the grains are activated in a patented three step process. This creates a mesoporous structure with a huge catalytic surface area of 50'000 m² per m³. The surface area is 300 times larger than the surface area of sand or other glass filter media. The surface area is important for all adsorptive and catalytic reactions. In contact with the water free radicals (OH-radicals) are formed, which protect the surface from bio-fouling. The larger the surface area the higher performance and bio-resistance you will get from the media.



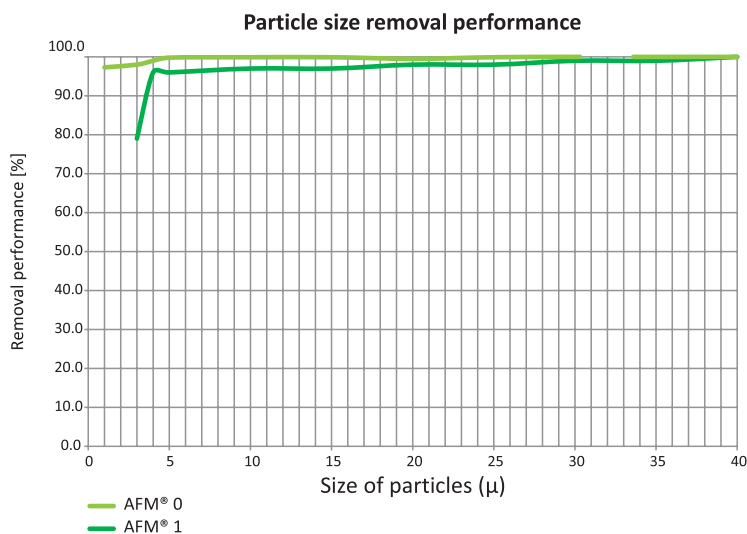
- 1 Filtration with AFM®
- 2 Coagulation and flocculation with APF and ZPM
- 3 Catalytic oxidation with ACO

To produce one ton of AFM®, 1.8 tons of green glass is needed. AFM® is produced according to ISO 9001-2008 standards. We now also have the world's most important certification for drinking water: NSF 61.

Advantages:

- Crystal clear water - AFM® filters at least 30 - 50% more than quartz or glass sand.
- Lower consumption of chlorine - The better the filtration, the lower the chlorine demand.
- No trichloramine - no chlorine smell AFM® prevents growth of biofilm.
- No biofilm, no Legionella - Biofilm is a home for pathogens such as Legionella.
- Perfection for chlorine-free systems - AFM® greatly reduces the oxidation demand.

AFM® - ACTIVATED FILTER MEDIA



The graph opposite shows the latest test results (July 2014) from IFTS (Institut de la Filtration et des Techniques Séparatives, www.ifts—sls. com).

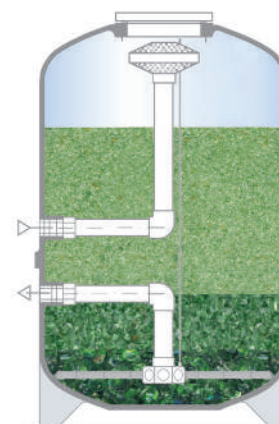
Different glass filter media and sands were tested. The experiment was done without flocculation and at a filtration rate of 20m³/h to get a representative comparison. AFM® 1 will remove more than 95% of all particles in the water down to 4 microns. The best a new, very high quality sand or other glass filter media can achieve is 20 microns at an efficiency of 95%. In addition, the filtration performance with AFM® will stay at this high level for many years.

- AFM® 0 has been developed for best filtration where flocculation cannot be used.
- AFM® 0 is able to remove particles of 1 micron at an efficiency of more than 95%.
- AFM® 0 cannot be combined with flocculation. The backwash speed should be about 30 m³/h.

Important:
For smaller filters (<1000 mm diameter) and for all filters with nozzle plate, irrespective of filter diameter, use 70% of AFM®1 and 30% of AFM®2. AFM®3 is for larger diameter filters to ensure adequate filtration.

Filter filling:
Dryden Aqua recommends the following layers:

WITHOUT AFM®0	WITH AFM®0
70% AFM® 1	20% AFM® 0
15% AFM® 2 as supporting layer	50% AFM® 1
15% AFM® 3 as supporting layer	30% AFM® 2 and AFM® 3 as supporting layer



Models

CODE	DESCRIPTION	PACKING	WEIGHT	VOLUME
			kg	m ³
AFM-00	AFM® GRADE 0 0.25 - 0.5 mm	1	25	0.015
AFM-01	AFM® GRADE 1 0.5 - 1.0 mm	1	25	0.015
AFM-02	AFM® GRADE 2 1.0 - 2.0 mm	1	25	0.015
AFM-03	AFM® GRADE 3 2.0 - 4.0 mm	1	25	0.015



25 | ZPM - ZETA POTENTIAL MIXER 30



✓ Technical features

The static mixer for the cavitation of water

ZPM stands for Zeta Potential Mixer and is a static mixer manufactured in stainless steel 1.4571. The cavitation reactions help to disinfect the water for a lifetime.

Upstream of the filter — optimize coagulation and flocculation:

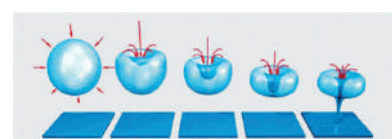
The ZPM amplifies the coagulation and flocculation reactions for the conversion and precipitation of dissolved components into small particles. The cavitation reactions provide the perfect mixing and turbulent environment necessary for coagulation using APF and NoPhos. The ZPM neutralises the electrical charge (Zeta Potential) on dissolved chemicals and small particles to make some positively and some negatively charged. The opposite charges attract and this causes coagulation and flocculation. As the electrical potential drops to neutral, the redox oxidation potential of the water increases by up to 100 mV, effectively the water is beginning to disinfect itself without the use of any chemicals.

Choose the size of the ZPM according to the pressure loss. Pressure loss should be between 1 and 2 mWS (0,1 - 0,2 bar).

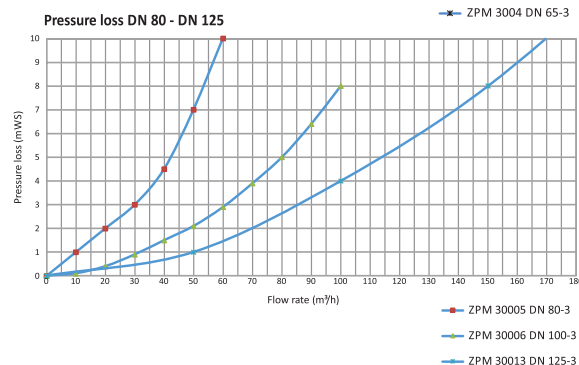
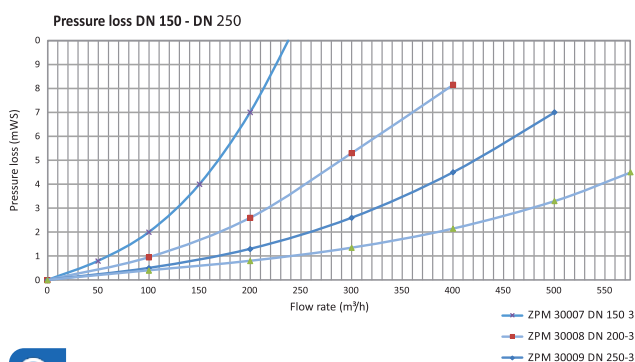
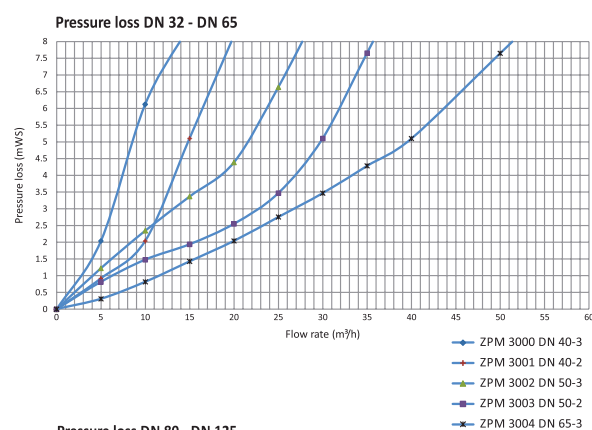
Downstream of the filter - mechanical disinfection:

The cavitation produce nano-bubbles that disinfect the water. The higher the pressure loss, the better the disinfection performance. Some pathogens (e.g. Cryptosporidium) as well as biofilm roTECTED colonies of bacterium floc are extremely resistant to chlorine. The ZPM breaks these colonies or floc apart and allows chlorine to disinfect the water before it reaches the pool

Choose the size of the ZPM according to the pressure loss. Pressure loss should be between 1 and 5 mWS (0,1 - 0,5 bar)



Imploding nano-bubbles disinfecting water



Q Models

CODE	SIZE	NO. OF FINNS	CONN.	LENGTH mm	PRESSURE LOSS (M ³ /H)			PACKING	WEIGHT kg	VOLUME m ³
					2mWS 0.2bar	3mWS 0.3bar	5mWS 0.5bar			
30000	DN 40	3	1" ET	235	5	6.5	8.5	1	0.75	0.0009
30001	DN 40	2	1½" ET	195	10	12	15	1	0.75	0.0008
30002	DN 50	3	2" ET	300	8.5	13	21.5	1	1.2	0.0014
30003	DN 50	2	2" ET	240	15	23	30	1	1.2	0.0012
30004	DN 65	3	2½" ET	332	20	27	40	1	2.8	0.0023
30005	DN 80	3	3" FL	419.6	20	30	45	1	11.2	0.0036
30006	DN 100	3	4" FL	519.6	50	60	80	1	14.4	0.0079
30013	DN 125	3	5" FL	640	70	85	115	1	21	0.0259
30007	DN 150	3	6" FL	759.6	100	125	170	1	26.8	0.0148
30008	DN 200	3	8" FL	979.6	175	220	290	1	41.2	0.0576
30009	DN 250	3	10" FL	1219.6	260	325	420	1	58.6	0.0956

26 | REGENERATIVE MEDIA FILTER

NSF Approved for either Perlite or Diatomaceous Earth (D.E.). Regenerator utilizes a user-friendly touch screen controller and innovative flexible filter elements to provide the most reliable and optimal particulate removal down to 1 micron and requires no backwashing.



✓ Technical features

- Fully automated system with manual override options available
- Designed to operate full filtration range
- Integration with VFD and secondary components
- All models are NSF® listed
- Stainless steel components
- No backwashing conserving resources
- AQUA engineered bump mechanism
- Lower profile allowing access to more applications
- True ASME domed head for enhanced hydraulics
- No davit required to remove head for maintenance
- Reduces power usage, thermal heat loss & chemical consumption
- 15 Year warranty

Dimensions

CODE	MAXIMUM DESIGN FILTRATION	EFFECTIVE FILTRATION AREA	DIMENSIONS mm		
	GPM/FT ²	FT ²	A	B	C
AQRGF225S	1.60	209	689	2280	595
AQRGF350S	1.60	351	838	2291	621
AQRGF500S	1.60	519	1003	2426	699
AQRGF700S	1.60	707	1143	2490	719
AQRGF900S	1.60	819	1286	2650	765
AQRGF1275S	1.60	936	1295	2681	738
AQRGF1400S	1.60	1141	1489	2786	830
AQRGF2100S	1.60	1539	1613	2970	870



Models

CODE	PRECOAT PIPE	TANK CONNECTION	FLOW RATE		TANK VOLUME	PRECOAT PERLITE	PRECOAT DIATOMACEOUS EARTH (DE)	OPERATING WEIGHT	PACKING	WEIGHT	VOLUME
	Ø Inch	Ø Inch	m ³ /h	gpm	m ³	kg	kg	kg		kg	m ³
AQRGF225S	3"	4"	48 - 76	212 - 335	0.488	11.79	22.67	680	1	465	0.98
AQRGF350S	4"	6"	76 - 128	337 - 565	0.923	18.59	35.83	1180	1	590	1.25
AQRGF500S	4"	6"	119 - 189	528 - 835	1.101	29.71	57.152	1928	1	794	1.79
AQRGF700S	6"	8"	163 - 258	719 - 1138	1.499	37.19	71.66	2177	1	998	2.15
AQRGF900S	6"	8"	185 - 297	819 - 1310	1.877	43.09	86.18	2721	1	1247	2.74
AQRGF1275S	6"	8"	215 - 341	950 - 1505	1.987	49.44	95.25	2948	1	1406	2.69
AQRGF1400S	8"	10"	258 - 413	1141 - 1825	2.729	63.04	117.93	4491	1	1860	3.62
AQRGF2100S	8"	10"	353 - 565	1560 - 2490	3.369	82.55	158.75	5262	1	2631	4.38